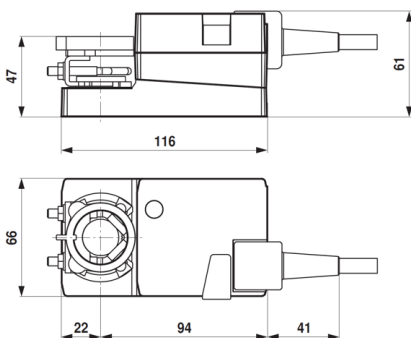


## EasyIO Actuator for the FW-8V EASYIO-LM24A-SR



You can buy this actuator for a special bundle price with the FW-8V controller. Contact us for details.

The EASYIO-LM24A-SR actuator is connected with a standard modulating signal of DC 0...10V and drives to the position defined by the positioning signal. Measuring voltage U serves for the electrical display of the damper position 0...100% and as slave control signal for other actuators. Simple direct mounting on the damper spindle with an universal spindle clamp, supplied with an anti-rotation device to prevent the actuator from rotating. Manual override with push-button possible (the gear is disengaged for as long as the button is pressed or remains locked). The actuator is overload protected, requires no limit switches and automatically stops when the end stop is reached. Adjustable angle of rotation with mechanical end stops.



### Specification:

Power Supply	AC/DC 24 V 50/60 Hz
Power consumption	1W in operation 0.4 W in rest position
Parallel operation	Yes (note the performance data)
Torque motor	Min. 5 Nm
Positioning signal Y	DC 0...10 V Input impedance 100 kΩ
Operating range Y	DC 2...10 V
Position feedback U	DC 2...10 V Max. 1 mA
Position accuracy	±5%
Direction of motion	Selectable with switch 0 / 1 Y = 0 V: At switch position 0 (ccw rotation) / 1 (cw rotation)
Manual override	Gear disengagement with push-button, can be locked
Angle of rotation	Max. 95° can be limited on both sides with adjustable mechanical end stops
Running time motor	150 s / 90°
Sound power level	35 dB(A)
Spindle driver	Universal spindle clamp 6...20 mm
Position indication	Mechanically, pluggable
Protection class IEC/EN	III Safety extra-low voltage
Protection class UL	UL Class 2 Supply
Protection IEC/EN	IP54
Protection NEMA/UL	NEMA 2, UL Enclosure Type 2
EMC	CE according to 2004/108/EC
Certification IEC/EN	IEC/EN 60730-1 and IEC/EN 60730-2-14
Certification UL	cULus according to UL 60730-1A, UL 60730-2-14 and CAN/CSA E60730-1:02
Mode of operation	Type 1
Rated impulse voltage	0.8 kV
Control pollution	3
Ambient temperature	-30...50°C
Storage temperature	-40...80°C
Ambient humidity	95% r.h., non-condensing
Maintenance	Maintenance-free
Weight approx.	0.51 kg