

Combustible Gases Detector-Transmitter E2608-LEL



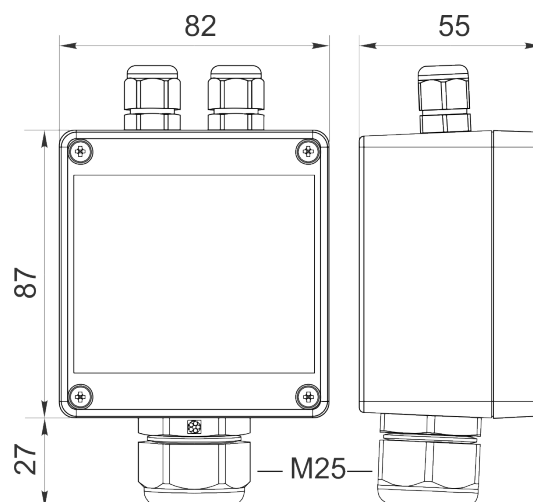
Features

- Wall-mount or duct-mount version
- Industrial IP65 housing
- Two analog outputs settable to 4-20 mA or 0-10 V
- RS485 Modbus RTU digital interface
- Two relays for alarm / ventilation control
- Attached or remote sensor

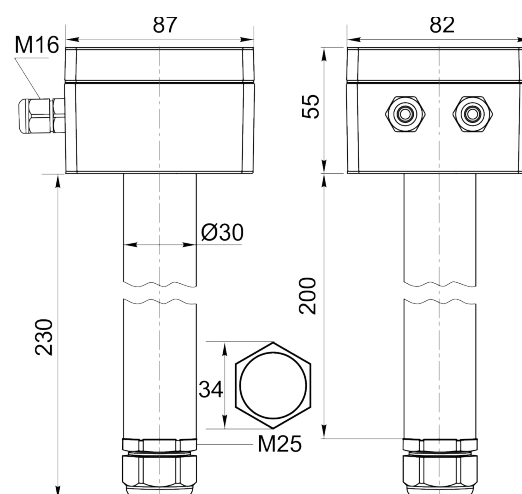
Specifications

| | | |
|-------------------------|---|--------------|
| Detected gases | Hydrogen, methane, acetylene, propane, butane | |
| Default calibration | Methane CH ₄ | |
| Sensor type | Metal-oxide semiconductor Pellistor (catalytic bead) on demand | |
| Sampling method | Diffusion | |
| Sensor | MOS | Pellistor |
| Typical detection range | 0...100% LEL | 0...100% LEL |
| Resolution | 0.1% LEL | 1% LEL |
| Response time T90 | ca. 60 s | ≤10 s |
| Sensor lifetime | > 5 years | > 5 years |
| Calibration interval | 12 months | 6 months |
| Signal update | Every 1 second | |
| Self-diagnostics | Full functionality check at start-up | |
| Warm-up time | ≤ 1 min | |
| Power supply | 11...30 VDC (default), 24 VAC or 90...265 VAC as options | |
| Power consumption | < 2 VA | |
| Digital interface | RS485, Modbus RTU protocol | |
| Analog outputs | 2 × 4-20 mA / 0-10 V, user settable | |
| Output scale width | Recommended: 20-100% of the range; > 10 × resolution in any case | |
| Output relays | 2 × SPST relays (closing contact), 250 VAC / 30 VDC, 5 A max | |
| Default alarm setpoints | LOW: set 20 %LEL, release 16% LEL; HIGH:set 50%LEL, release 40% LEL | |
| Enclosure | Light beige ABS plastic, wall mount, protection class IP65 | |
| Dimensions | H87 × W82 × D55 mm | |
| Remote sensor probe | Protection IP65, shielded cable default cable length 3.0 m | |
| Operating environment | Industrial indoor and outdoor locations | |
| Operating conditions | -40...+70 °C -40...+70°C 95% RH non-condensing; 0.9...1,1 atm Explosion-safe areas Normal ambient oxygen level No strong mechanical shock, vibrations or EMI; Avoid exposure to corrosive gases or silicone containing products. | |

Wall mount version



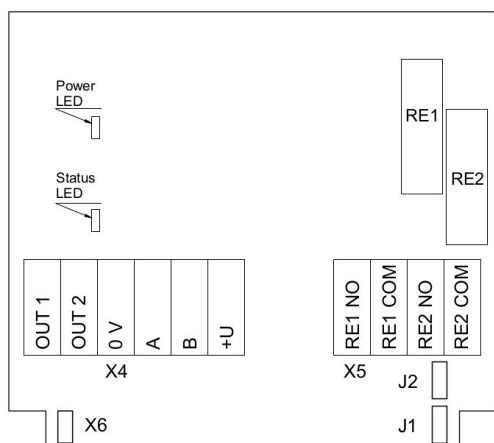
Duct mount version



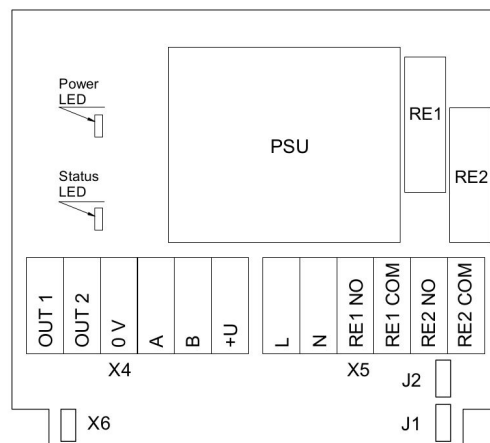
Ask for other versions or custom designed products



Connection diagrams

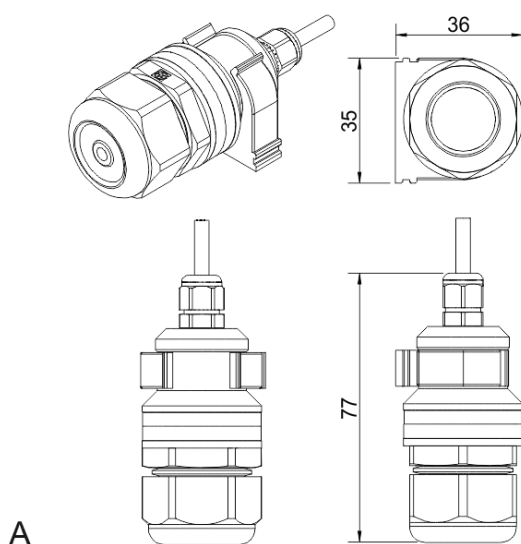


Version without PSU



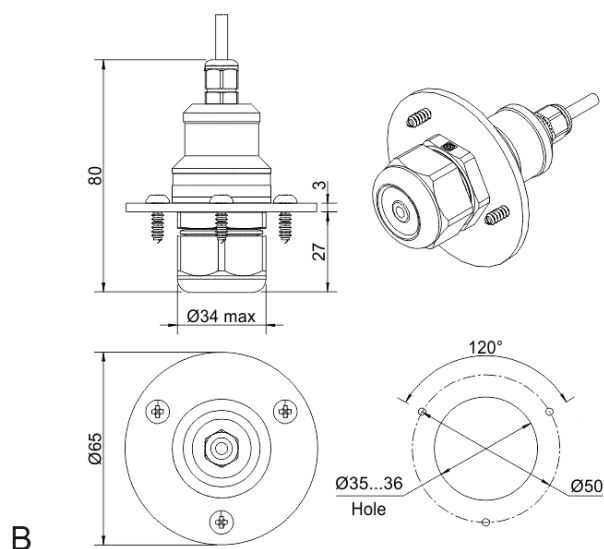
Version with PSU

Remote probe



A

Wall mount remote probe with fixing clamp (default version)



B

Remote probe with rubber flange and three self-tapping screws (on request)

